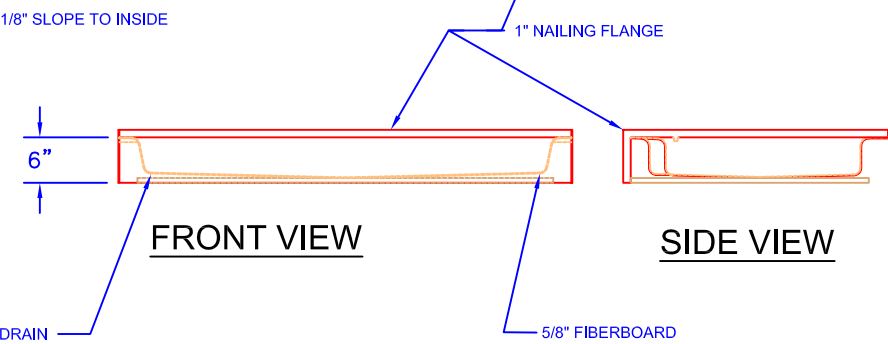


PHOTO VIEW



- NOTES:  
 1: GEL COAT THICKNESS .020" ±.005.  
 2: 1ST LAMINATE .125" NOMINAL THICKNESS.  
 3: REINFORCED 5/8" FIBERBOARD BASE.  
 4: EXTRA SLOPE BOTTOM TO FACILITATE FULL DRAINAGE OF SLIGHTLY OUT OF PLUMB CONDITION.  
 5: THE REVEAL (TOP EDGE) WILL ACCOMODATE A FULL MUD SET TILE JOB.

UNIT PART NUMBERS		UNLESS OTHERWISE SPECIFIED TOLERANCES ARE AS FOLLOWS	
RIGHT HAND UNIT	DECIMAL:	FRACTIONAL: ±1/8"	
<b>PR60-34</b>	.XX = ±.010	ANGULAR: ±1/2°	
LEFT HAND UNIT	.XXX = ±.005		
<b>PR60-34</b>	CAPACITY/ OPERATING LEVEL:		GAL
<small>THE INFORMATION CONTAINED IN THIS DRAWING IS THE SOLE PROPERTY OF FIBER CARE BATHS, INC. ANY REPRODUCTION OR UNAUTHORIZED USE IN PART OR AS A WHOLE WITHOUT THE WRITTEN PERMISSION OF FIBER CARE BATHS, INC. IS STRICTLY PROHIBITED. PRODUCT CONFIGURATION, DIMENSIONS, STANDARD ACCESSORIES, MATERIALS COMPOSITION AND CONSTRUCTION ARE SUBJECT TO CHANGE WITHOUT NOTICE.</small>	CAPACITY/ OVERFLOW LEVEL:		GAL
	APPROX. UNIT WEIGHT:		LBS
	APPROX. SHIPPING WEIGHT:		LBS

# Fiber Care Baths, Inc.

9832 Yucca Rd.  
 Adelanto, CA 92301  
 Phone: 760-246-0019  
 Fax: 760-246-5189

TITLE				<b>SHOWER PAN, 3-WALL</b>	
DWN	SIZE	MODEL #	REV		
KBP	A	<b>PR60-34</b>	N/C		
DATE	SCALE	PAGE	1 OF 1		
9-16-02	<b>NTS</b>				