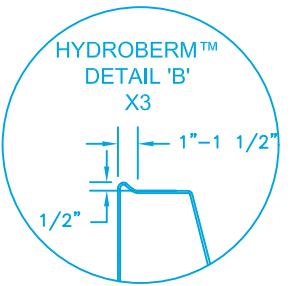
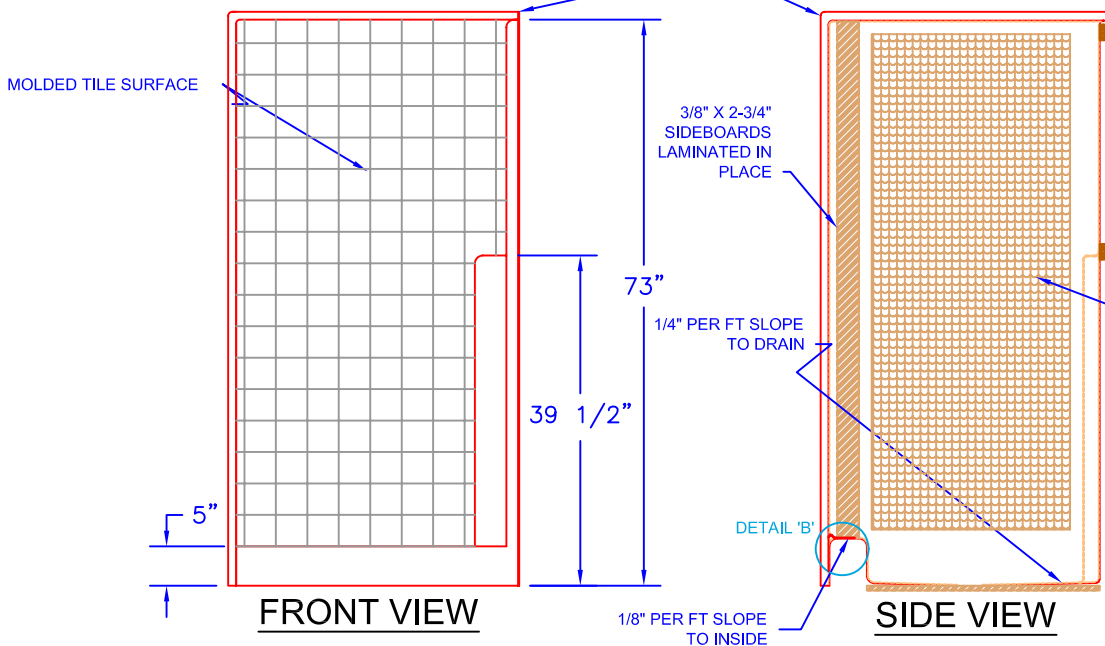
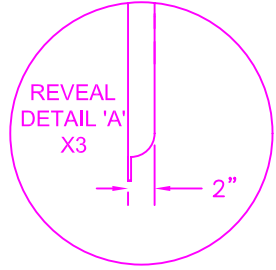


PHOTO VIEW



- NOTES:
- 1: GEL COAT THICKNESS .020" ±.005.
  - 2: 1ST LAMINATE .125" NOMINAL THICKNESS.
  - 3: SIDE WALLS REINFORCED WITH SINGLE FACED CORRUGATE.
  - 4: BOTTOM BOARD REINFORCED WITH 5/8" PARTICLE BOARD.
  - 5: 2ND LAMINATE COMPLETELY COVERS ALL REINFORCEMENTS PLUS .100" ADDED TO UNREINFORCED AREAS.
  - 6: COMPOSITE CONSISTS OF: A) GELCOAT, B) RESIN, C) GLASS, D) FILLER



UNIT PART NUMBERS		UNLESS OTHERWISE SPECIFIED TOLERANCES ARE AS FOLLOWS	
RIGHT HAND UNIT	<b>ES36-OCI</b>	DECIMAL: .XX = ±.010 .XXX = ±.005	FRACTIONAL: ±1/8" ANGULAR: ±1/2°
LEFT HAND UNIT	<b>ES36-OCI</b>	CAPACITY/ OPERATING LEVEL:	GAL
<small>THE INFORMATION CONTAINED IN THIS DRAWING IS THE SOLE PROPERTY OF FIBER CARE BATHS, INC. ANY REPRODUCTION OR UNAUTHORIZED USE IN PART OR AS A WHOLE WITHOUT THE WRITTEN PERMISSION OF FIBER CARE BATHS, INC. IS STRICTLY PROHIBITED. PRODUCT CONFIGURATION, DIMENSIONS, STANDARD ACCESSORIES, MATERIALS COMPOSITION AND CONSTRUCTION ARE SUBJECT TO CHANGE WITHOUT NOTICE.</small>		CAPACITY/ OVERFLOW LEVEL:	GAL
		APPROX. UNIT WEIGHT:	LBS
		APPROX. SHIPPING WEIGHT:	LBS

<b>Fiber Care Baths, Inc.</b>				9832 Yucca Rd. Adelanto, CA 92301 Phone: 760-246-0019 Fax: 760-246-5189	
TITLE <b>SHOWER STALL, CORNER ETERNA TILE</b>					
DWN	SIZE	MODEL #	REV		
KBP	A	<b>ES42-OCI</b>	A		
DATE	SCALE	PAGE	1 OF 1		
4/18/05	<b>NTS</b>				

