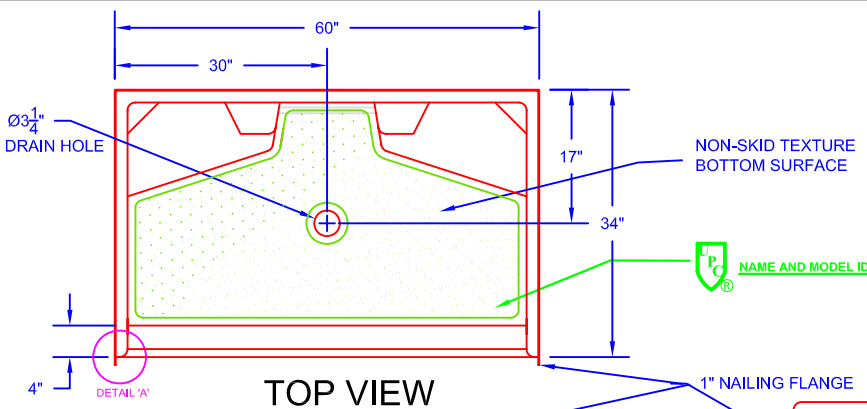
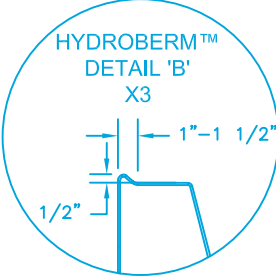
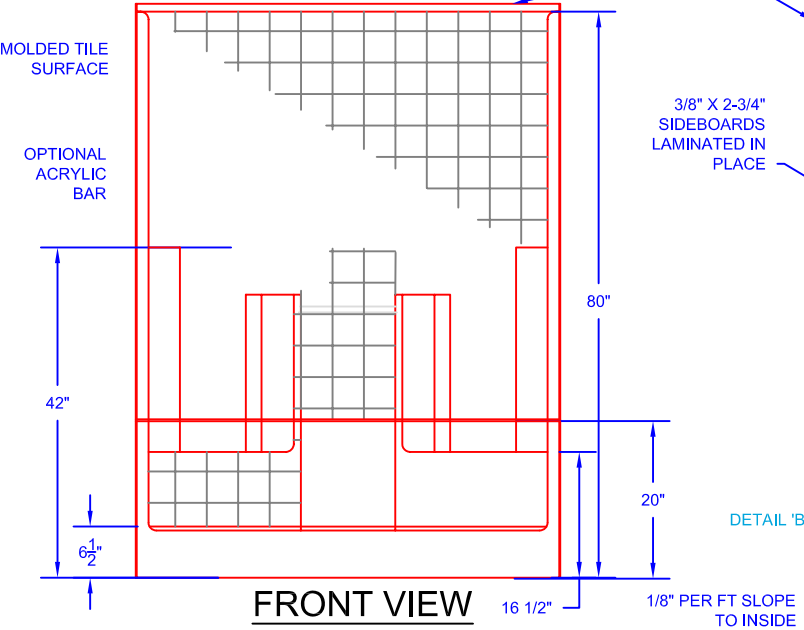


NOT AVAILABLE

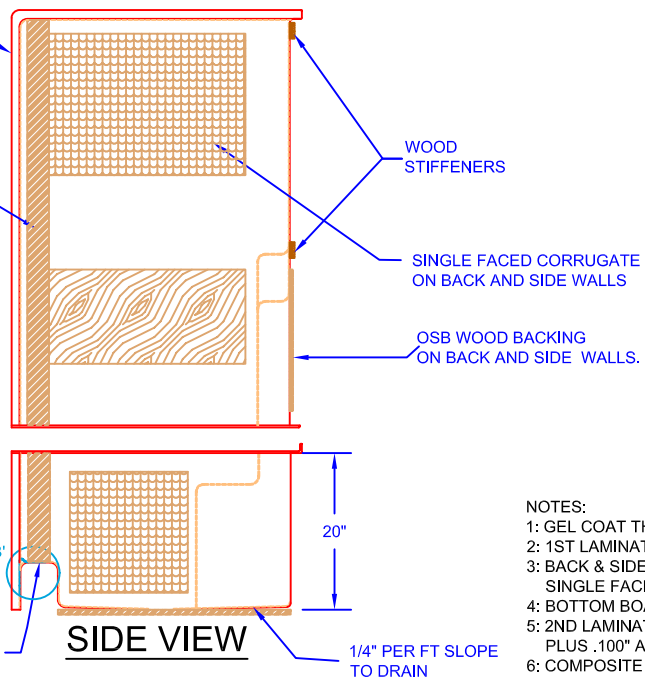
PHOTO VIEW



TOP VIEW

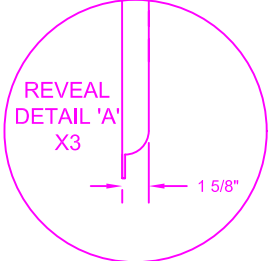


FRONT VIEW



SIDE VIEW

- NOTES:
- 1: GEL COAT THICKNESS .020" ±.005.
 - 2: 1ST LAMINATE .125" NOMINAL THICKNESS.
 - 3: BACK & SIDE WALLS REINFORCED WITH WOOD & SINGLE FACED CORRUGATE.
 - 4: BOTTOM BOARD REINFORCED WITH 5/8" PARTICLE BOARD.
 - 5: 2ND LAMINATE COMPLETELY COVERS ALL REINFORCEMENTS PLUS .100" ADDED TO UNREINFORCED AREAS.
 - 6: COMPOSITE CONSISTS OF: A) GELCOAT, B) RESIN, C) GLASS, D) FILLER



UNIT PART NUMBERS		UNLESS OTHERWISE SPECIFIED TOLERANCES ARE AS FOLLOWS	
RIGHT HAND UNIT	ES60-34-80 2PC	DECIMAL:	FRACTIONAL: ±1/8"
LEFT HAND UNIT		.XX = ±.010 .XXX = ±.005	ANGULAR: ±1/2°
CAPACITY/ OPERATING LEVEL:			GAL
CAPACITY/ OVERFLOW LEVEL:			GAL
APPROX. UNIT WEIGHT:			LBS
APPROX. SHIPPING WEIGHT:			LBS
<small>THE INFORMATION CONTAINED IN THIS DRAWING IS THE SOLE PROPERTY OF FIBER CARE BATHS, INC. ANY REPRODUCTION OR UNAUTHORIZED USE IN PART OR AS A WHOLE WITHOUT THE WRITTEN PERMISSION OF FIBER CARE BATHS, INC. IS STRICTLY PROHIBITED. PRODUCT CONFIGURATION, DIMENSIONS, STANDARD ACCESSORIES, MATERIALS COMPOSITION AND CONSTRUCTION ARE SUBJECT TO CHANGE WITHOUT NOTICE.</small>			

Fiber Care Baths, Inc.			9832 Yucca Rd. Adelanto, CA 92301 Phone: 760-246-0019 Fax: 760-246-5189	
TITLE				
SHOWER STALL, 3 WALL, WITH SEATS ETERNA TILE, 2 PIECE UNIT				
DWN	SIZE	MODEL #	REV	
KAYE	A	ES60-34-80 2PC	A	
DATE	SCALE	PAGE	1 OF 1	
02/23/09	NTS			