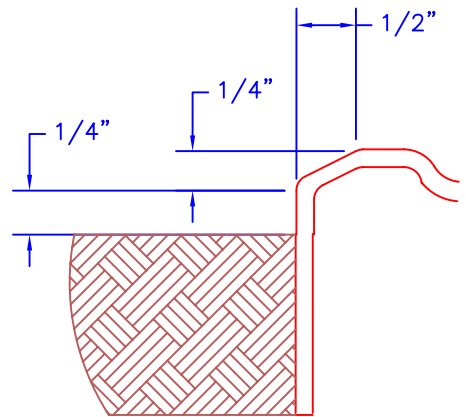
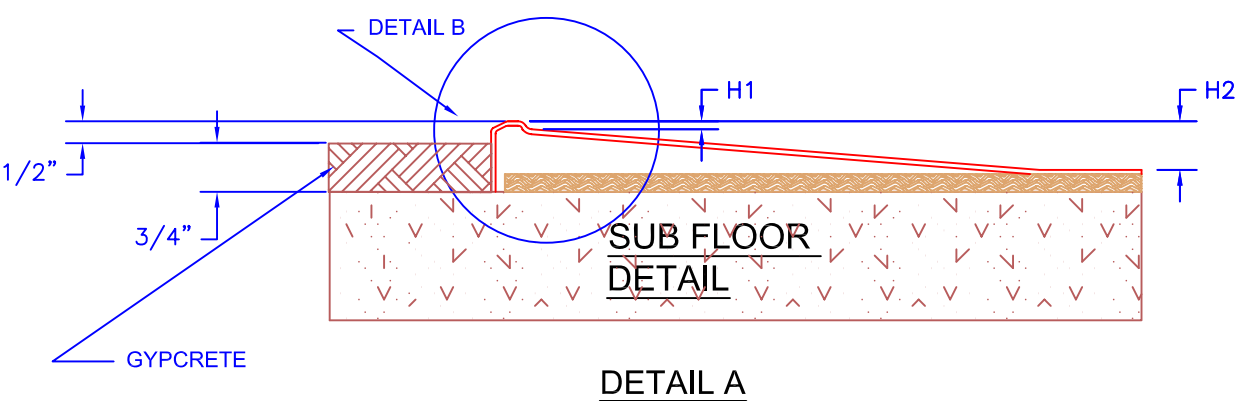


MODEL	H1	H2
HS38-38	1/8" (.125)	3/8" (.375)
HES44-50	1/8" (.125)	1" (1.000)
HS62-36	1/8" (.125)	3/8" (.375)
HES62-36	1/8" (.125)	3/8" (.375)
HES62-31	1/8" (.125)	5/16" (.3125)
HES45-50	1/8" (.125)	1" (1.000)
HES63-38	1/8" (.125)	3/8" (.375)
HES62-48	1/8" (.125)	1/2" (.500)
HS44-50	1/8" (.125)	1" (1.000)



**PROFILES ARE EXAGGERATED FOR CLARITY OF DETAIL.**

THE INFORMATION CONTAINED IN THIS DRAWING IS THE SOLE PROPERTY OF FIBER CARE BATHS, INC. ANY REPRODUCTION OR UNAUTHORIZED USE IN PART OR AS A WHOLE WITHOUT THE WRITTEN PERMISSION OF FIBER CARE BATHS, INC. IS STRICTLY PROHIBITED. PRODUCT CONFIGURATION, DIMENSIONS, STANDARD ACCESSORIES, MATERIALS COMPOSITION AND CONSTRUCTION ARE SUBJECT TO CHANGE WITHOUT NOTICE.

UNLESS OTHERWISE SPECIFIED TOLERANCES ARE AS FOLLOWS	
DECIMAL:	FRACTIONAL: ±1/4"
.XX = ±.010	ANGULAR: ±1/2°
.XXX = ±.005	
CAPACITY/ OPERATING LEVEL:	GAL
CAPACITY/ OVERFLOW LEVEL:	GAL
APPROX. UNIT WEIGHT:	LBS
APPROX. SHIPPING WEIGHT:	LBS

**Fiber Care Baths, Inc.**  
 9832 Yucca Rd.  
 Adelanto, CA 92301  
 Phone: 760-246-0019  
 Fax: 760-246-5189

**TITLE THRESHOLD HEIGHT ABOVE FLOOR SURFACE ON INSTALLED WHEELCHAIR ACCESSIBLE SHOWER**

DWN	SIZE	MODEL #	REV
KAYE	A	HSXX-XX-TH	E
DATE	SCALE	PAGE	1 OF 1
08/26/10	NTS		

