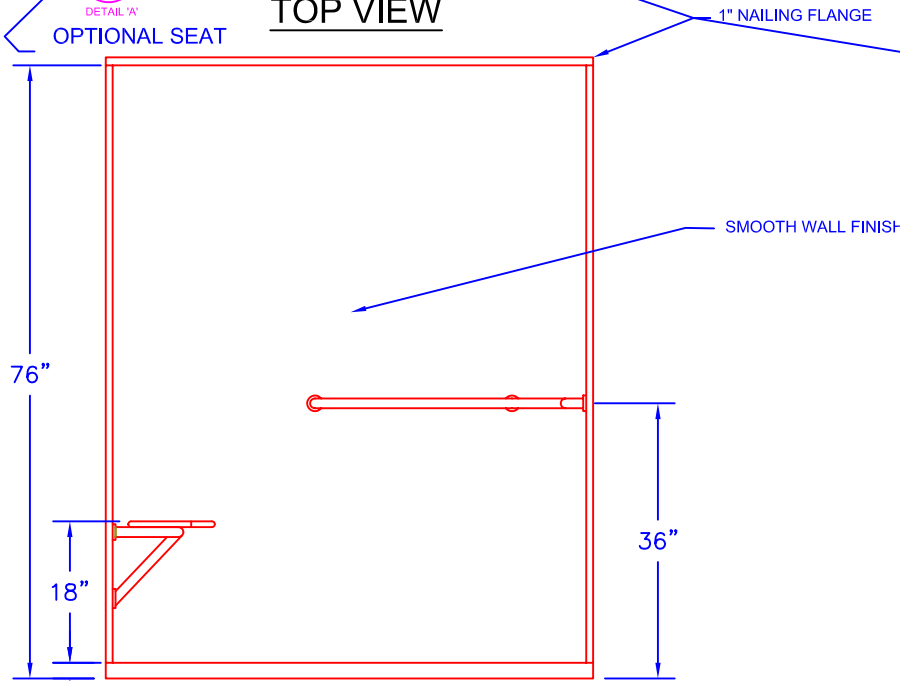
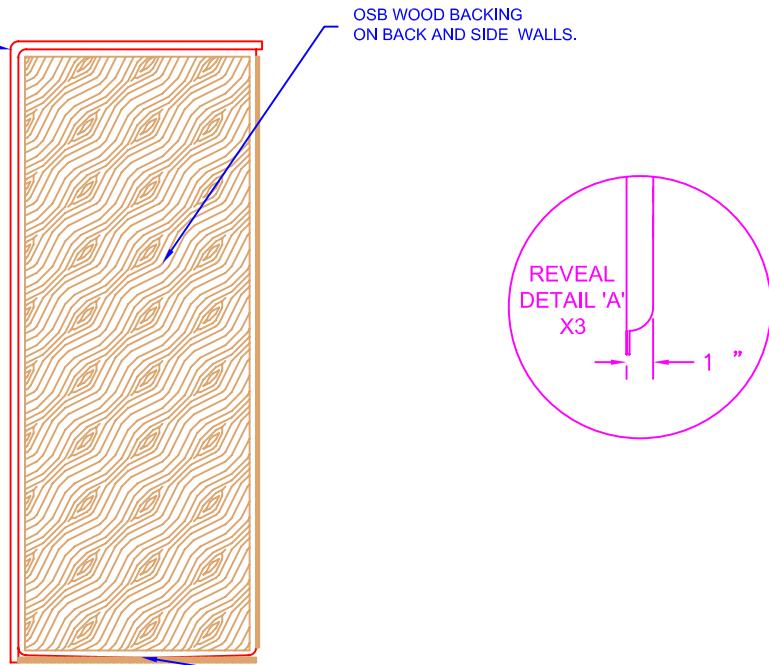


TOP VIEW



FRONT VIEW



SIDE VIEW

NOTES:

- 1: GEL COAT THICKNESS .020" ±.005.
- 2: 1ST LAMINATE .125" NOMINAL THICKNESS.
- 3: BACK & SIDE WALLS REINFORCED WITH WOOD & SINGLE FACED CORRUGATE.
- 4: BOTTOM REINFORCED WITH WOOD TO MEET 300# LOAD TEST.
- 5: 2ND LAMINATE COVERS ALL REINFORCEMENTS PLUS .100" ADDED TO UNREINFORCED AREAS.
- 6: COMPOSITE CONSISTS OF: A) GELCOAT, B) RESIN, C) GLASS, D) FILLER
- 7: FOR THRESHOLD DIMENSIONS REFER TO DWG# HSXX-XX-TH.

UNIT PART NUMBERS		UNLESS OTHERWISE SPECIFIED TOLERANCES ARE AS FOLLOWS	
RIGHT HAND UNIT	HS62-36	DECIMAL: .XX = ±.010 .XXX = ±.005	FRACTIONAL: ±1/8" ANGULAR: ±1/2°
LEFT HAND UNIT	HS62-36	CAPACITY/ OPERATING LEVEL:	GAL
<small>THE INFORMATION CONTAINED IN THIS DRAWING IS THE SOLE PROPERTY OF FIBER CARE BATHS, INC. ANY REPRODUCTION OR UNAUTHORIZED USE IN PART OR AS A WHOLE WITHOUT THE WRITTEN PERMISSION OF FIBER CARE BATHS, INC. IS STRICTLY PROHIBITED. PRODUCT CONFIGURATION, DIMENSIONS, STANDARD ACCESSORIES, MATERIALS COMPOSITION AND CONSTRUCTION ARE SUBJECT TO CHANGE WITHOUT NOTICE.</small>		CAPACITY/ OVERFLOW LEVEL:	GAL
		APPROX. UNIT WEIGHT:	LBS
		APPROX. SHIPPING WEIGHT:	LBS

Fiber Care Baths, Inc.

9832 Yucca Rd.
Adelanto, CA 92301
Phone: 760-246-0019
Fax: 760-246-5189

TITLE			
SHOWER STALL WHEELCHAIR ACCESSIBLE			
DWN	SIZE	MODEL #	REV
KAYE	A	HS62-36	A
DATE	SCALE	PAGE	1 OF 1
10/29/07	NTS		